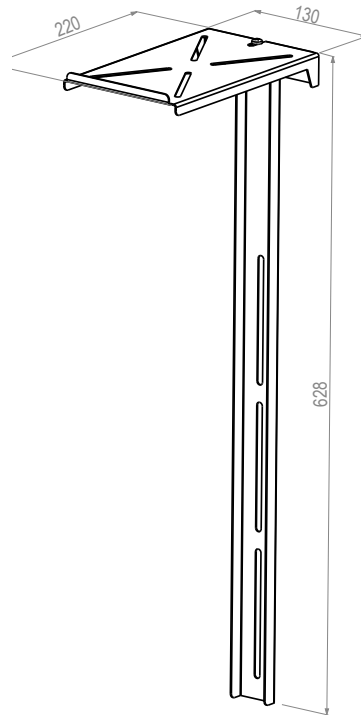


HP Lift Series | optional accessories

HP Lift - Camera Holder

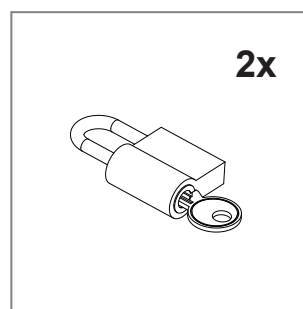
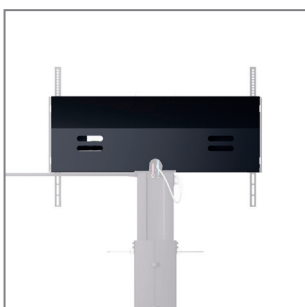
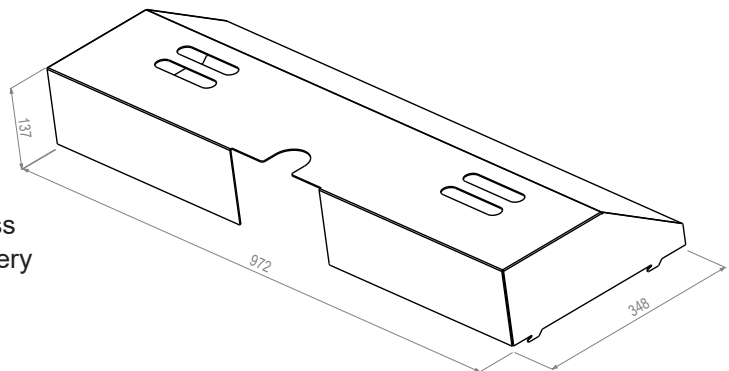
- Optional Camera holder
- Suitable for
 - HP Lift Mobile | Item no.: 8265
 - HP Lift Floorstand | Item no.: 8266
 - HP Lift Floor-Wall | Item no.: 8267
- Height adjustable thanks to oblong holes (Tool needed)
- 5 kg load, max.
- Solvent free, scratch and impact resistant powder coating in black



Item no.: 8910

HP Lift - Cover incl. Padlocks

- Optional Cover (backside)
- Suitable for
 - HP Lift Mobile | Item no.: 8265
 - HP Lift Floorstand | Item no.: 8266
 - HP Lift Floor-Wall | Item no.: 8267
- Protects AV equipment from unauthorised access
- lockable - 2 padlocks included in scope of delivery
- solvent free, scratch and impact resistant powder coating in black



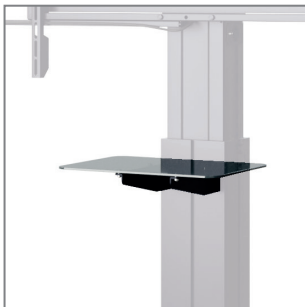
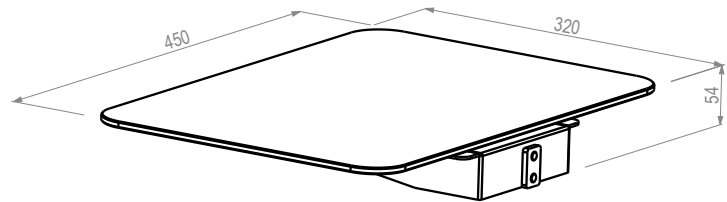
Please note!
The HP Lift - Cover incl. Padlocks can not be used in combination with the HP Lift - Laptop Holder.

Item no.: 8911

HP Lift Series | optional accessories

HP Lift - AV Shelf

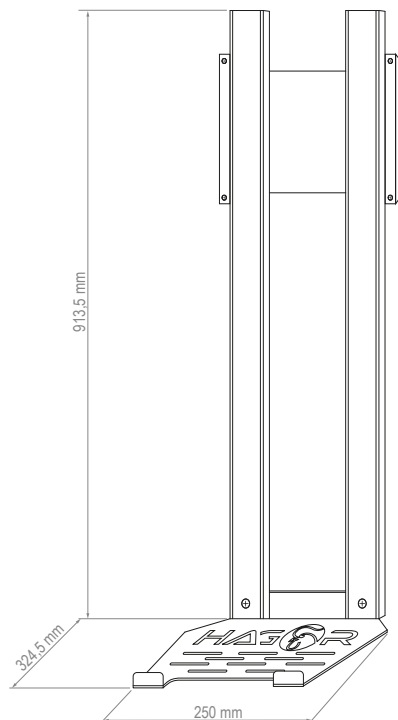
- Optional AV Shelf
- Suitable for
 - HP Lift Mobile | Item no.: 8265
 - HP Lift Floorstand | Item no.: 8266
 - HP Lift Floor-Wall | Item no.: 8267
- Installation height can be selected freely along the column (Tool needed)
- 7 kg load, max.
- solvent free, scratch and impact resistant powder coating in black



Item no.: 8912

HP Lift - Laptop Holder

- Optional Laptop Holder
- Suitable with
 - HP Lift Mobile | Item no.: 8265
 - HP Lift Floorstand | Item no.: 8266
 - HP Lift Floor-Wall | Item no.: 8267
- Waisted shape and punched surface for optimal heat dissipation
- Non-slip silicone pads prevent scratches and keep the laptop securely in position
- Height adjustable thanks to oblong holes (Tool needed)
- 5 kg load, max.
- Solvent free, scratch and impact resistant powder coating
- Colour: black



Please note!
The HP Lift - Cover incl. Padlocks can not be used in combination with the HP Lift - Laptop Holder.

Item no.: 8915